

1 2 3 4 5 6 7 8

A

B

C

D

E

F

A

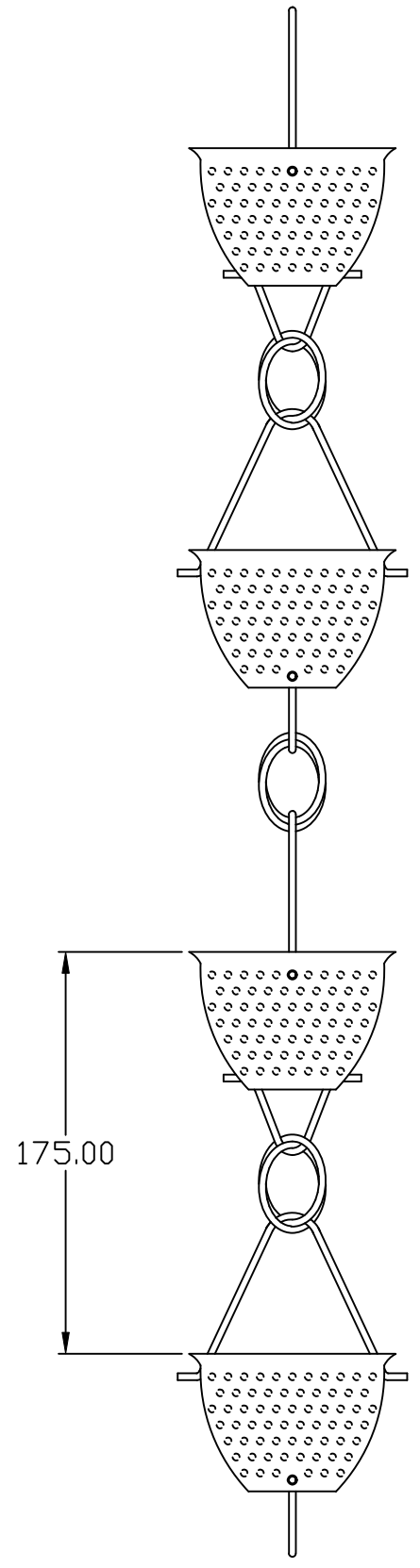
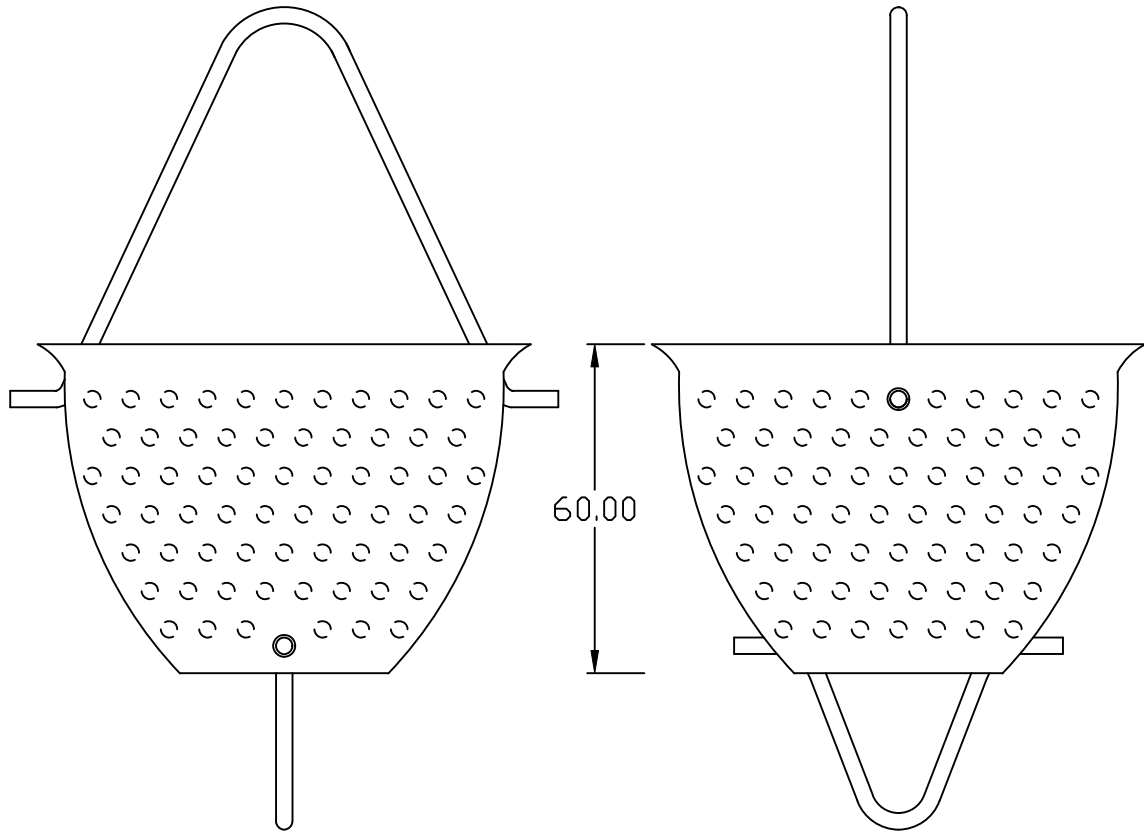
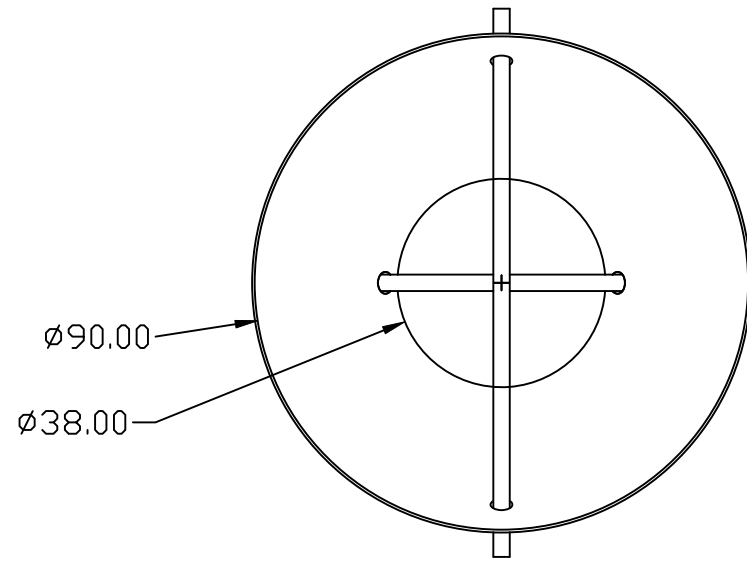
B

C

D


E

F



15no cups per 2.4m length

*all dimensions are approximate and subject to change without notice

Dept.	Technical Reference:	Created by: AEG	01/09/2025	Approved by: RJH	01/09/2025
 COPPER • ZINC • STAINLESS STEEL		Document type:		Document status: LIVE*	
		Title: COPPA RAIN CUPS		DWG No. CRH	
Rev. 1	Date of issue: 01/09/2025	Sheet 1/1			

1 2 3 4 5 6 7 8